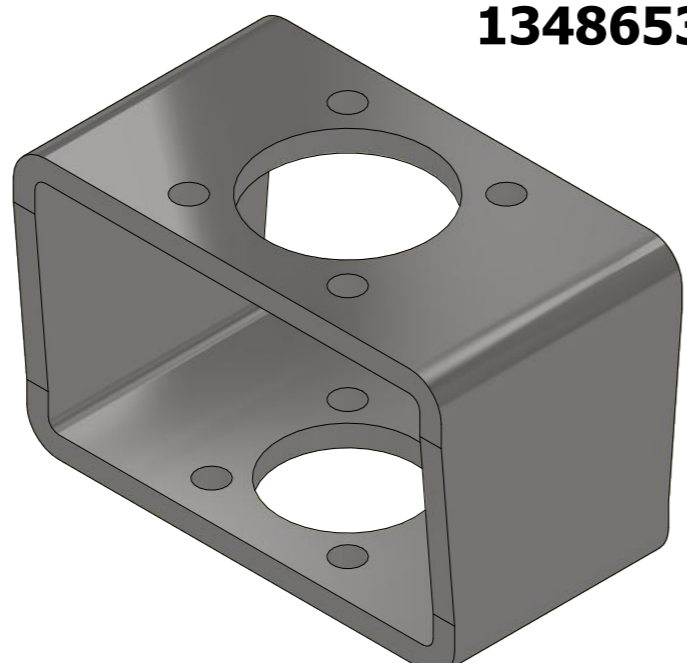


ECON BRACKETS SS316, FIGURE 8010.

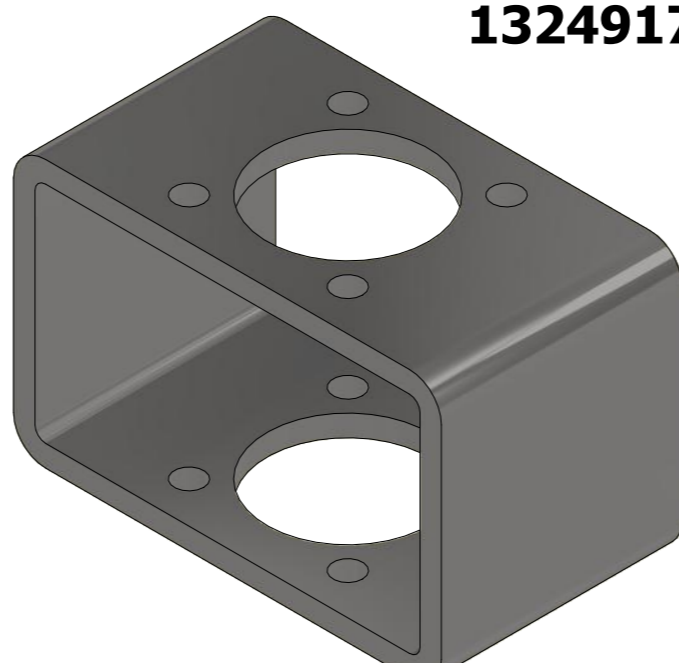
F03-F03
13463306



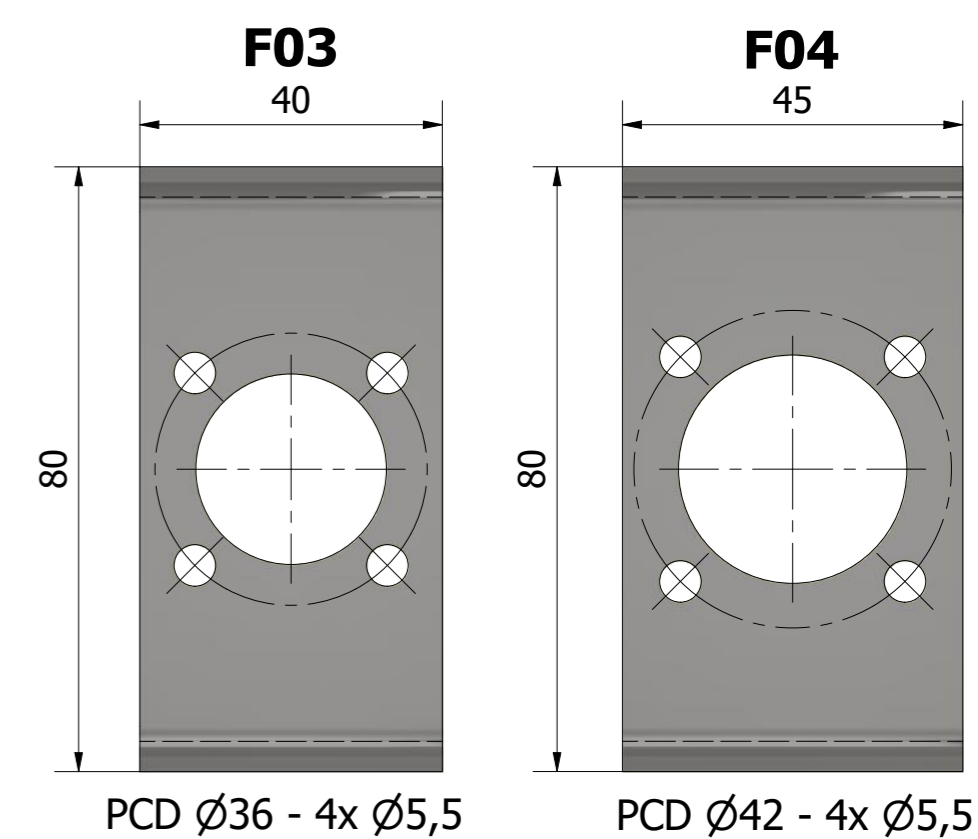
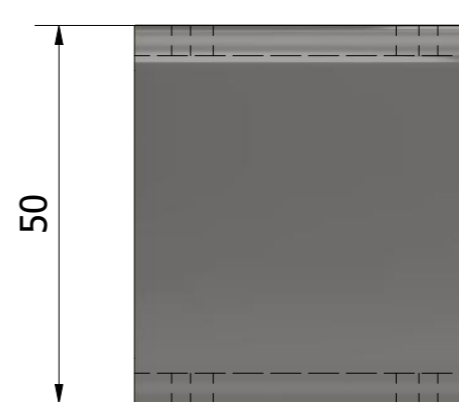
F04-F03
13486536



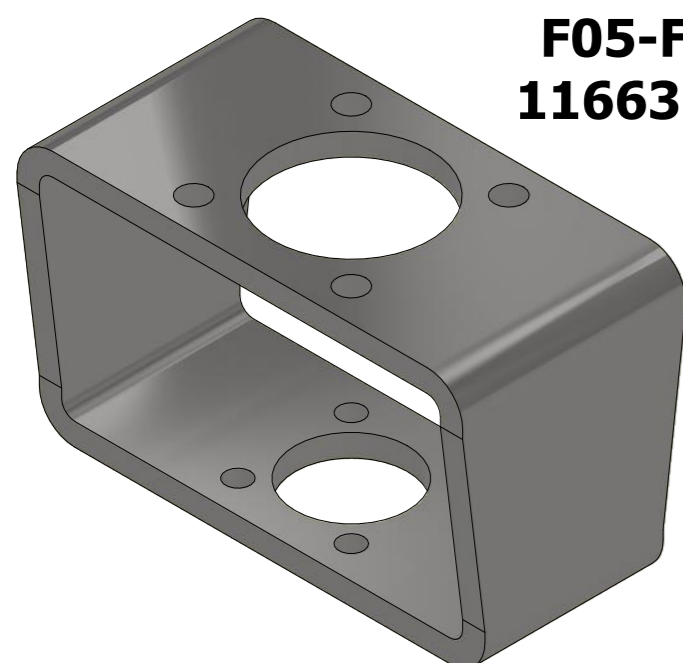
F04-F04
13249171



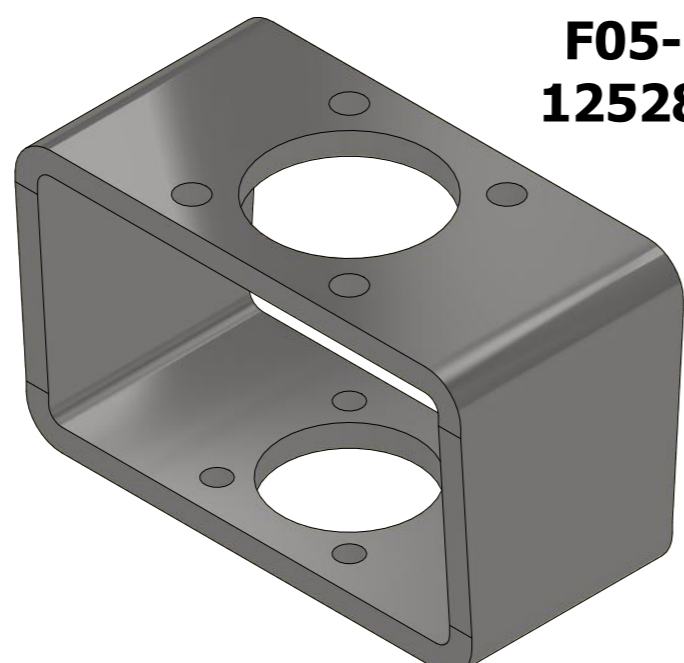
Height bracket:



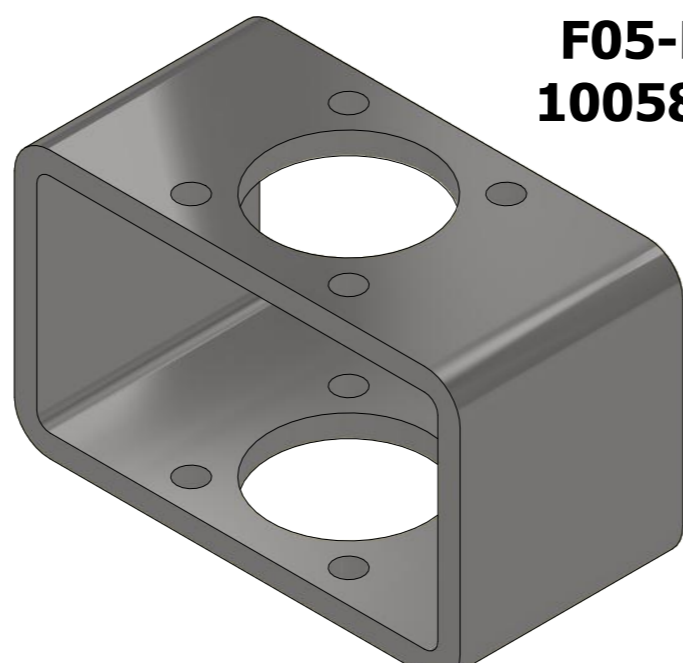
F05-F03
11663662



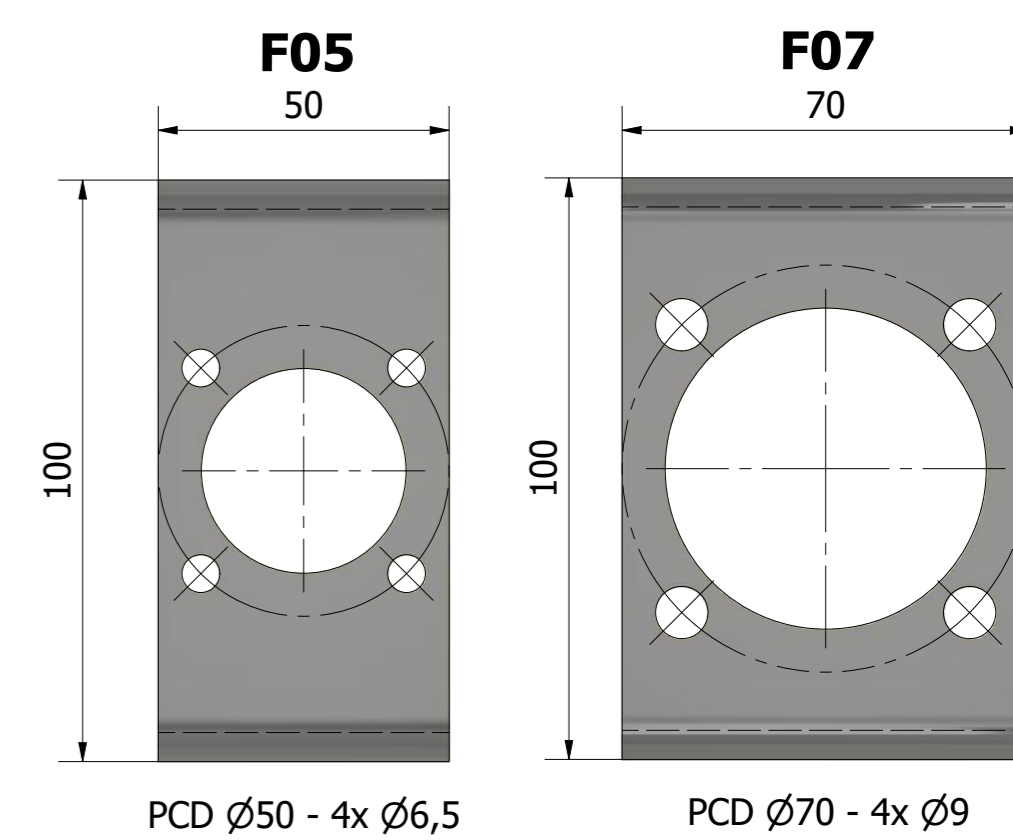
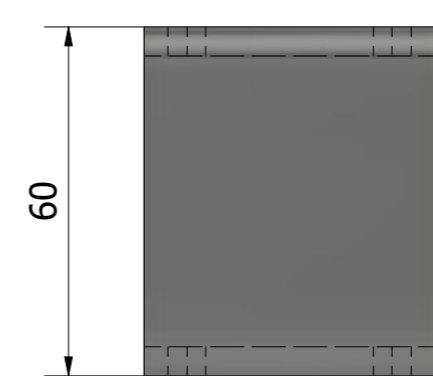
F05-F04
12528590



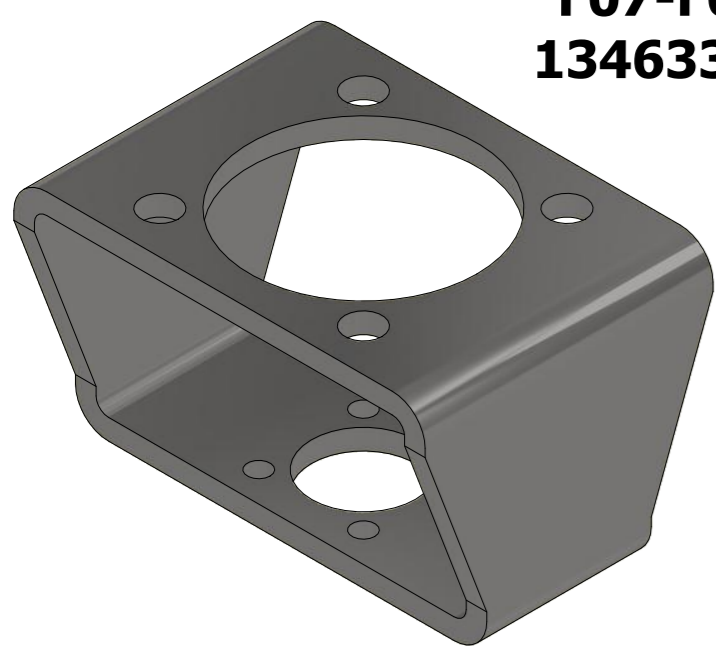
F05-F05
10058228



Height bracket:



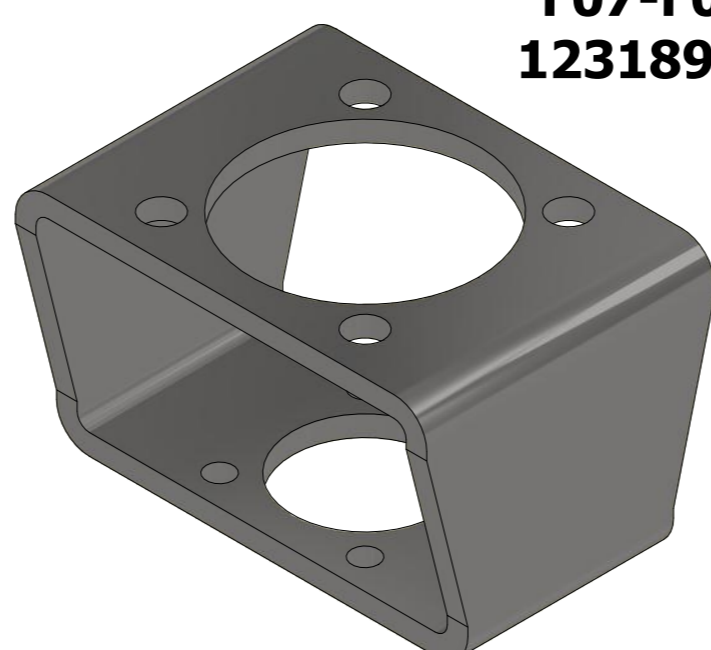
F07-F03
13463308



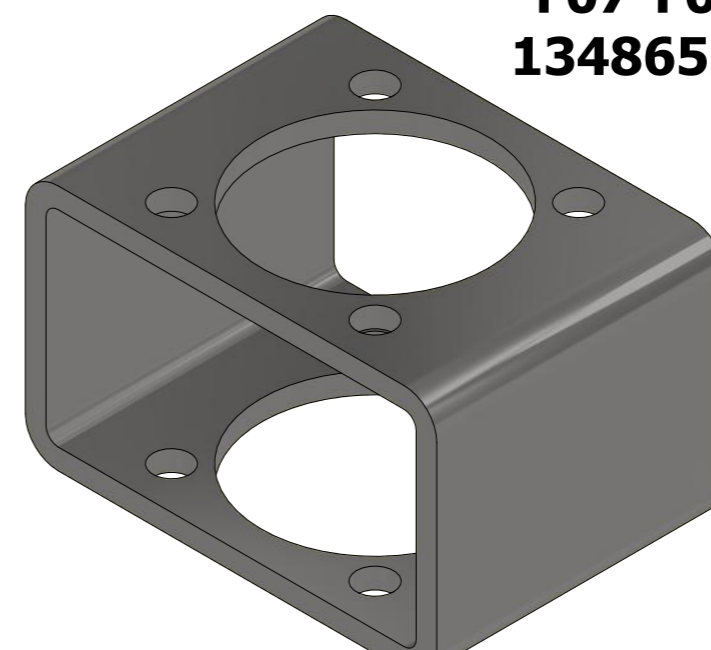
F07-F04
13463307



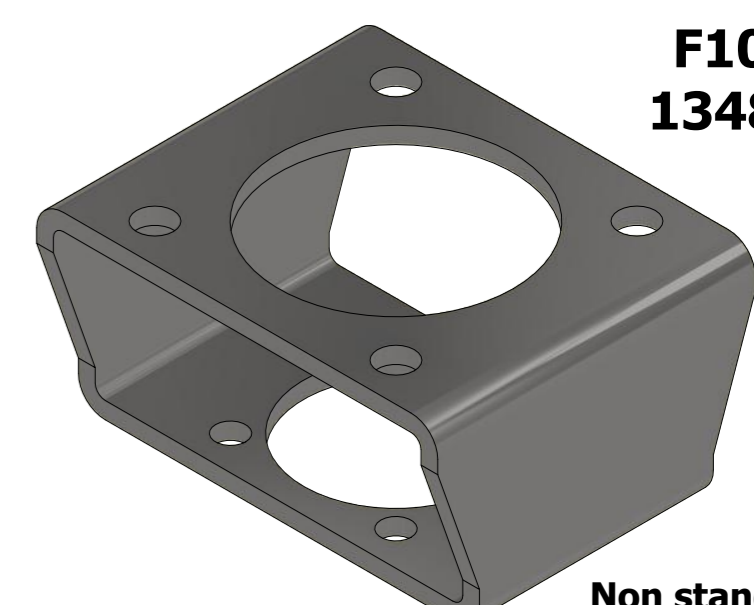
F07-F05
12318951



F07-F07
13486537

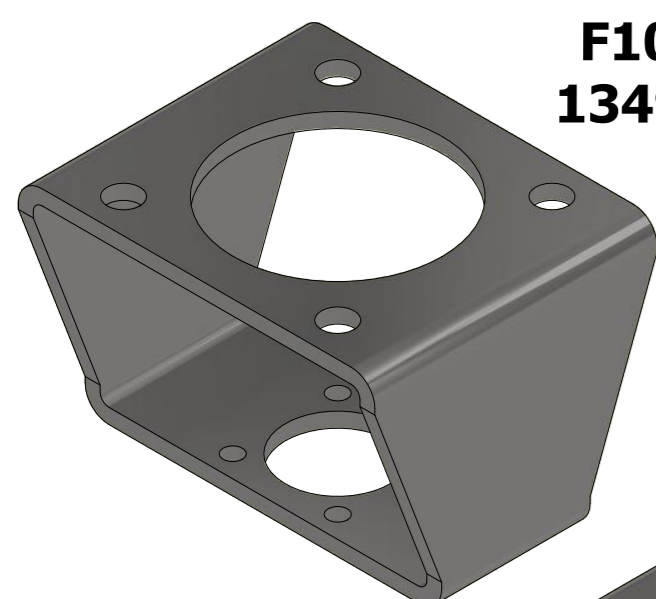


F10-F07
13486519

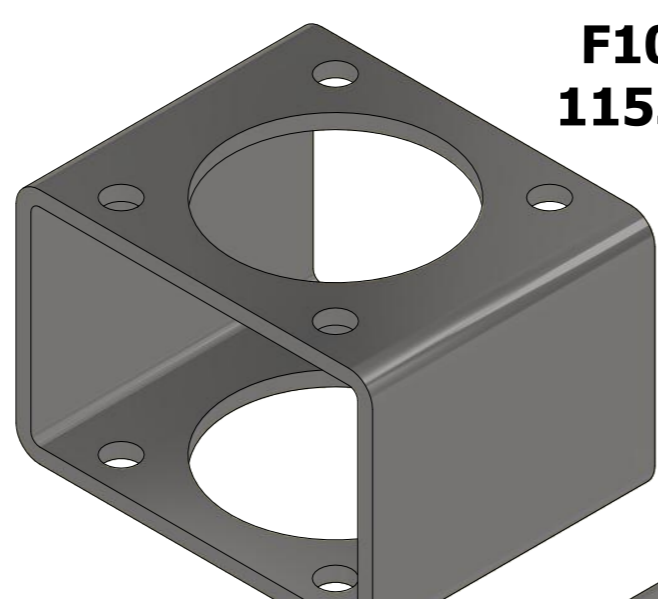


Non standard

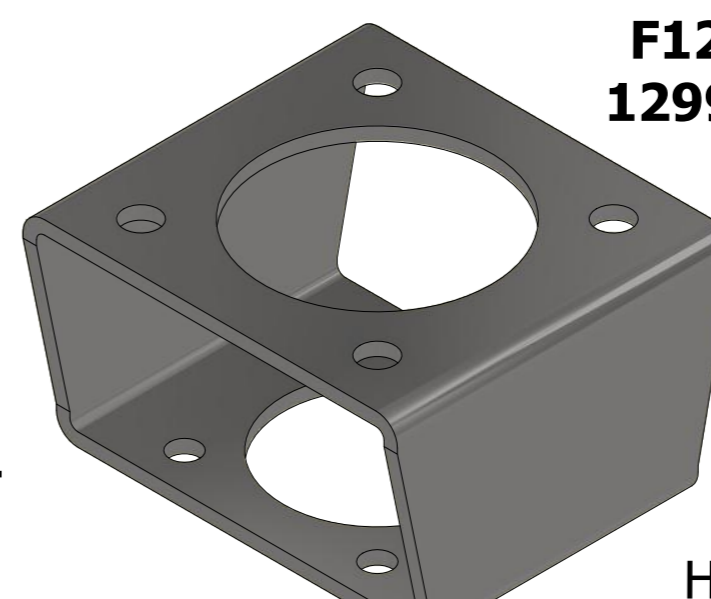
F10-F05
13491542



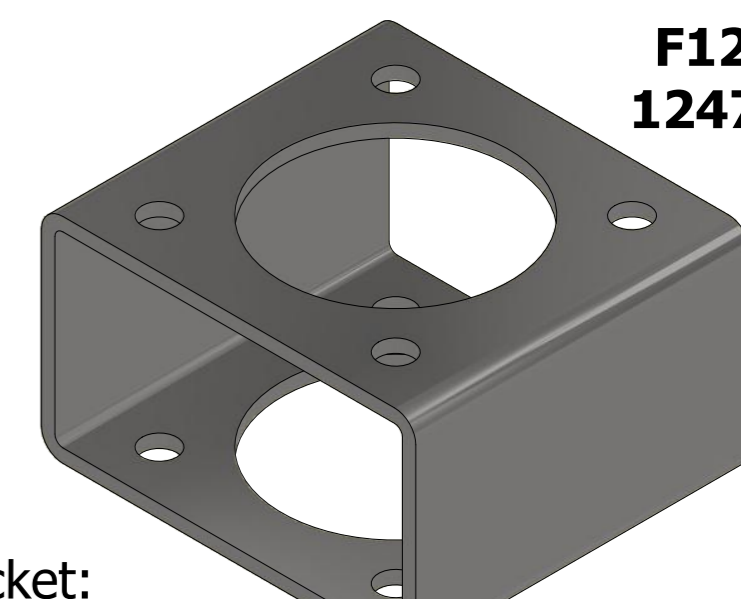
F10-F10
11559533



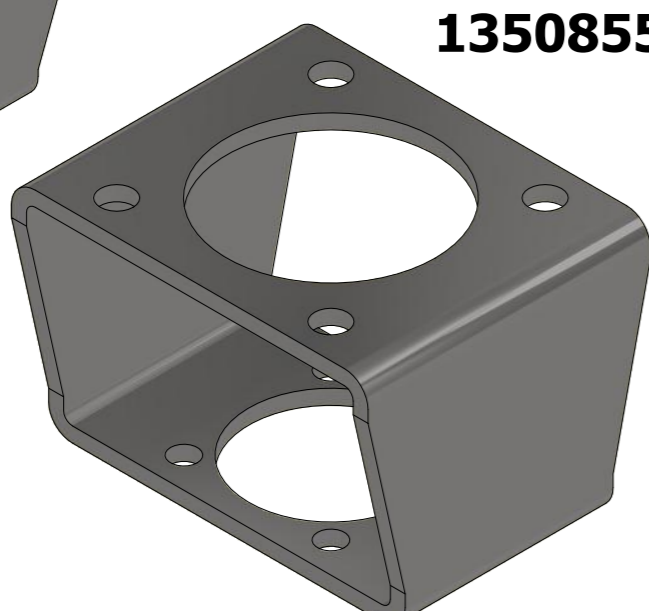
F12-F10
12997021



F12-F12
12478955



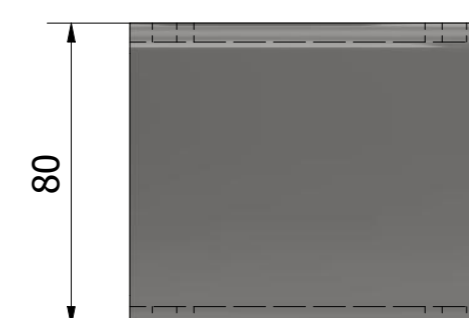
F10-F07
13508557



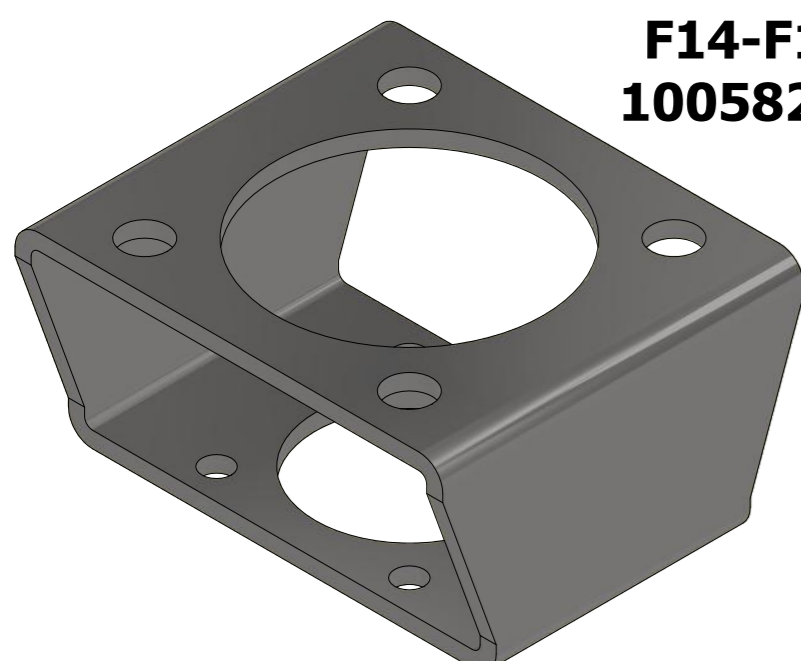
F12-F07
13249181



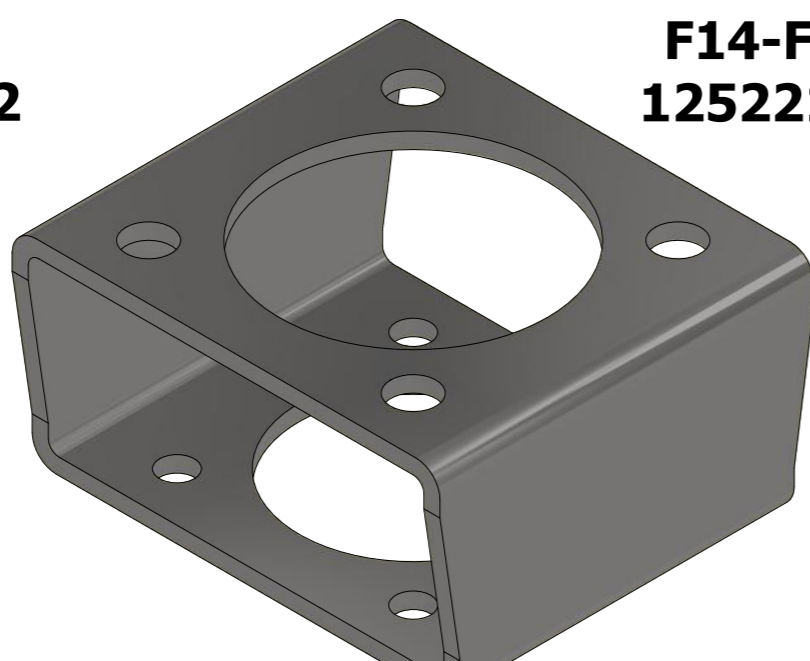
Height bracket:



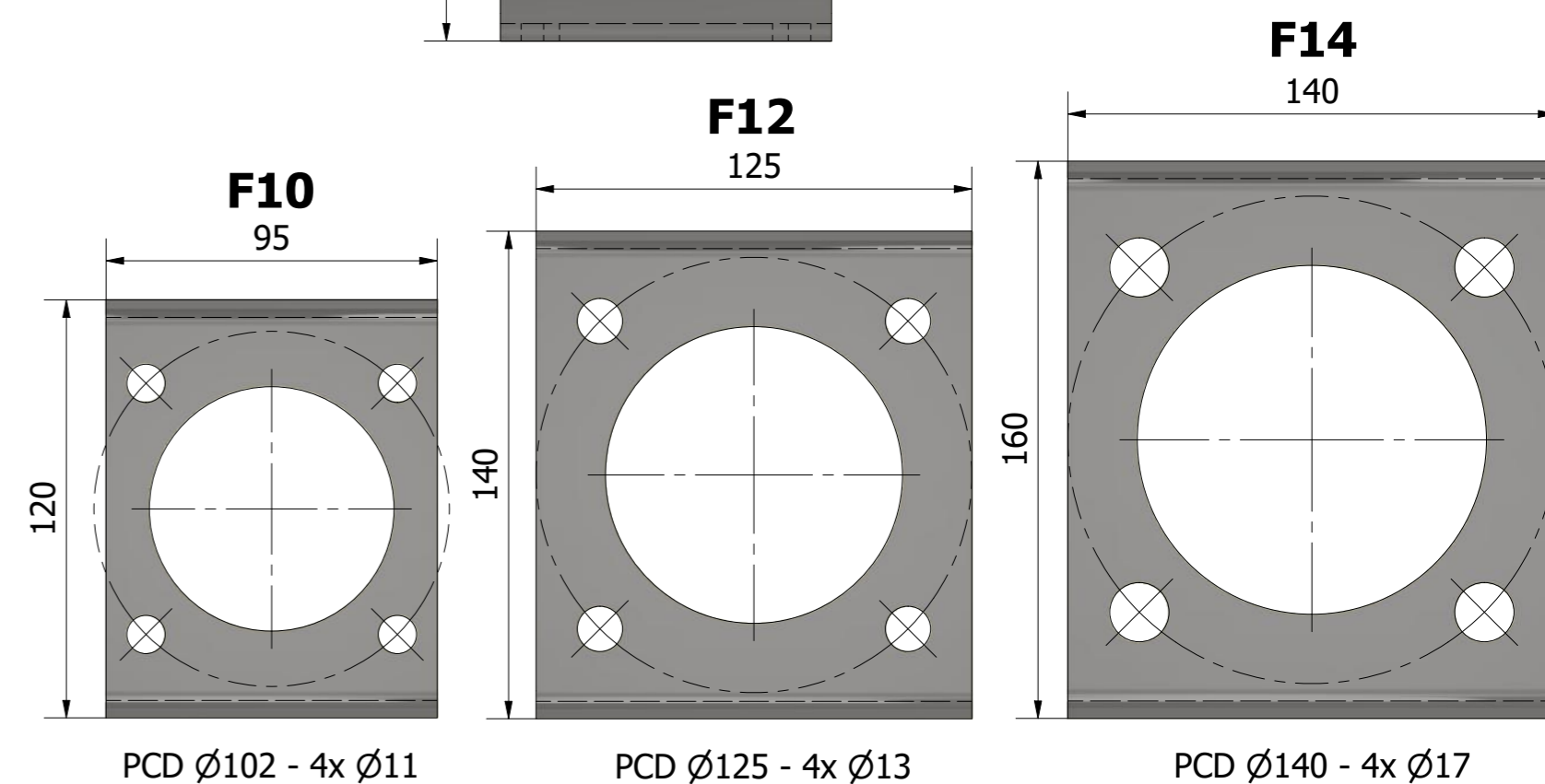
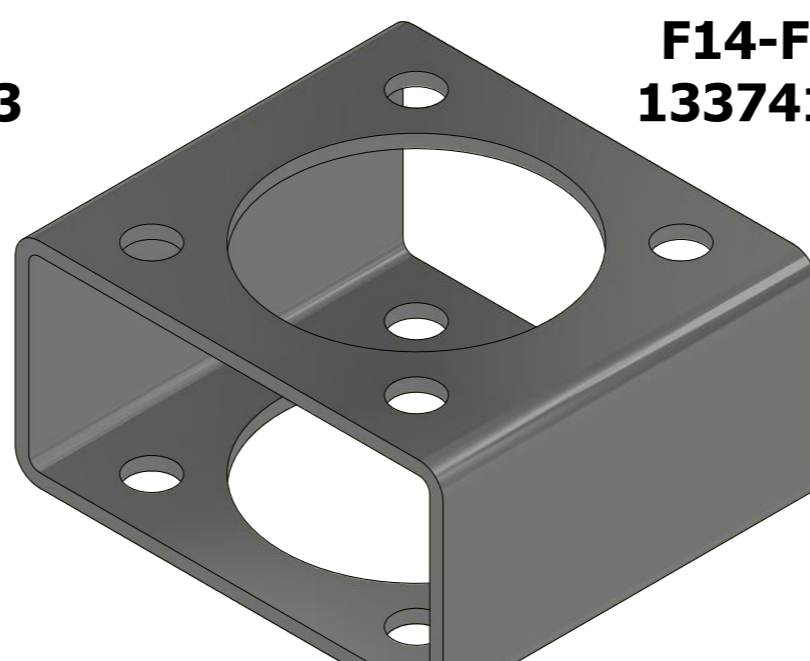
F14-F10
10058212



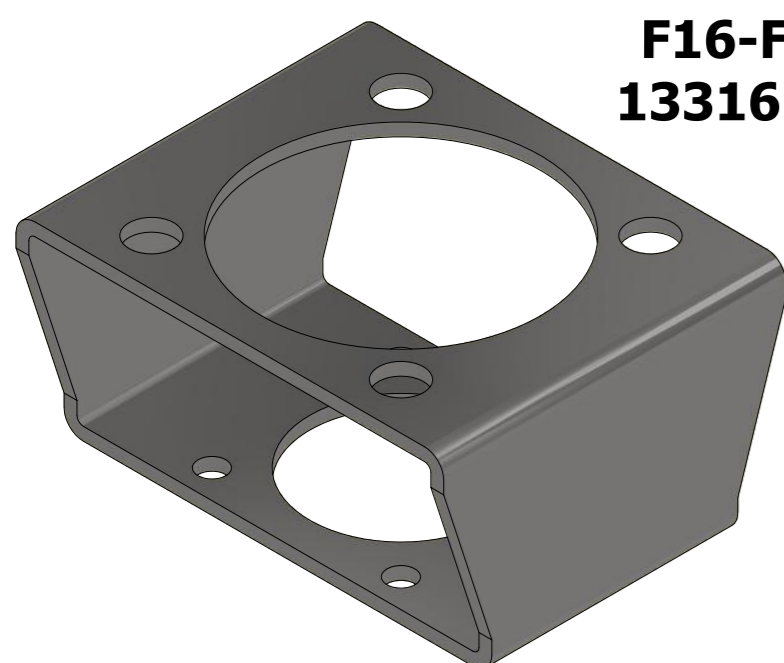
F14-F12
12522163



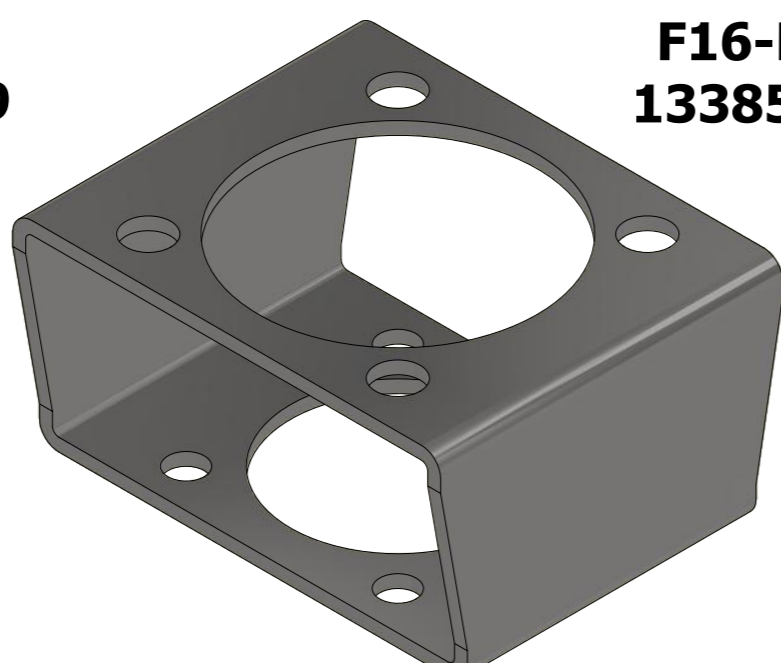
F14-F14
13374110



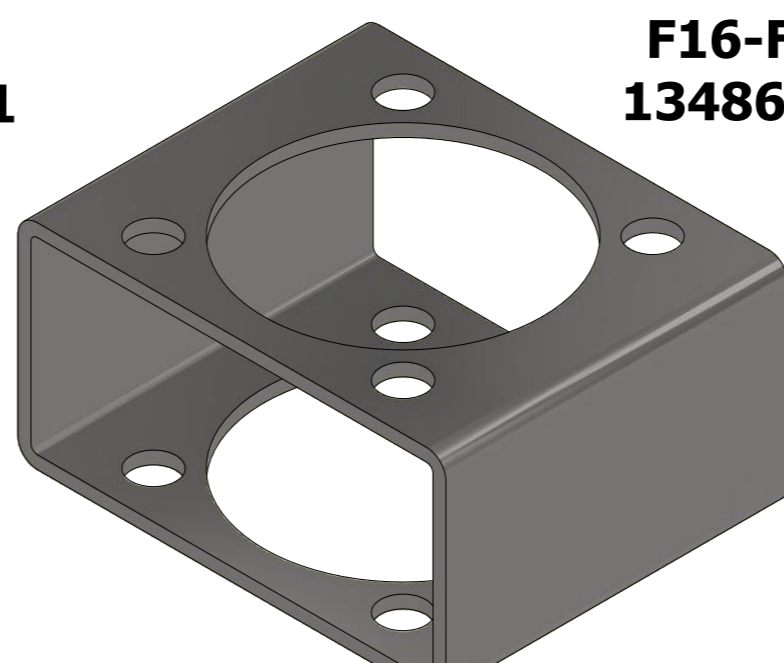
F16-F12
13316259



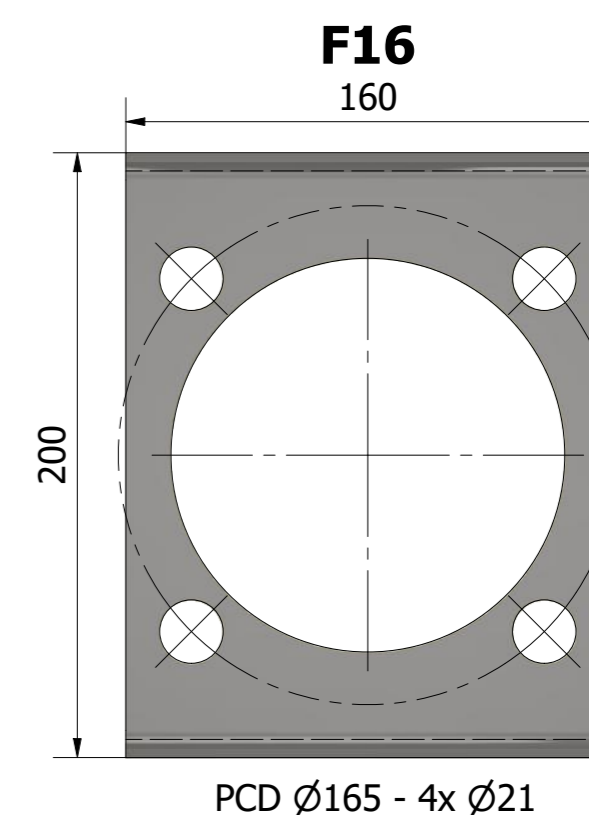
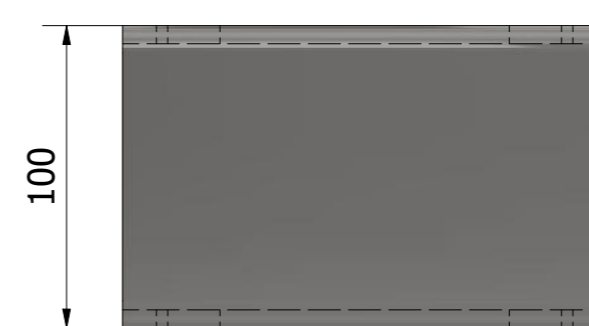
F16-F14
13385711



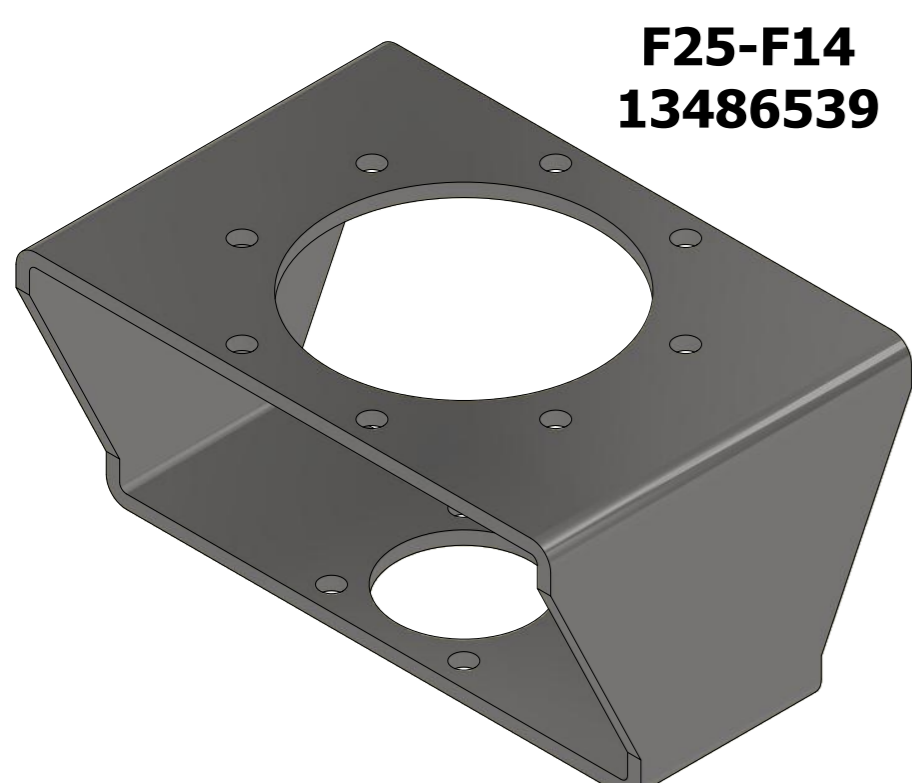
F16-F16
13486540



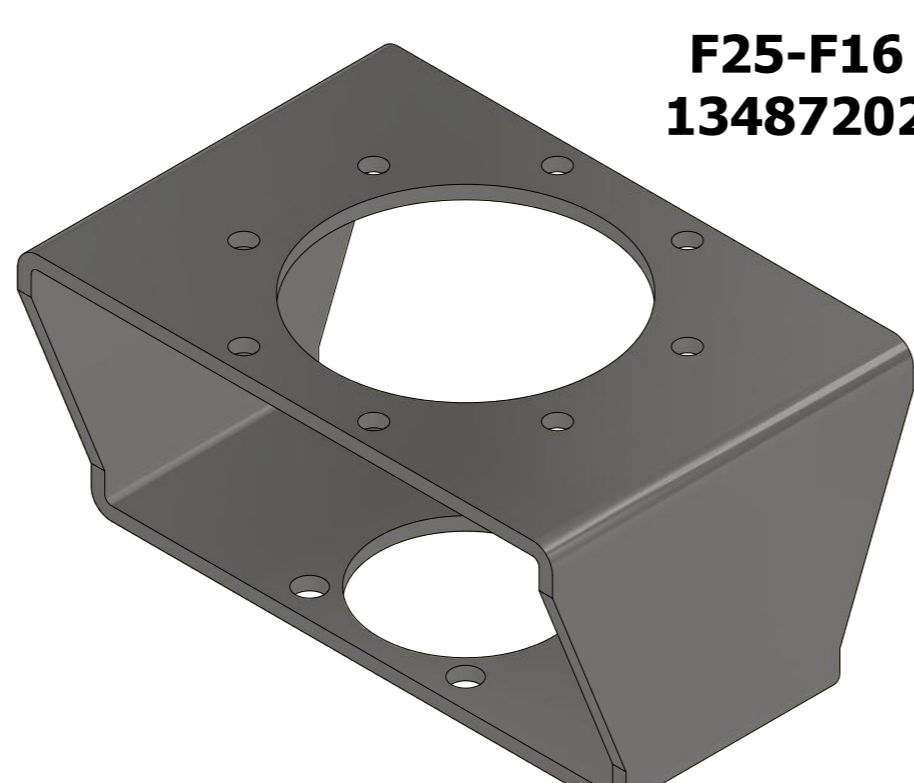
Height bracket:



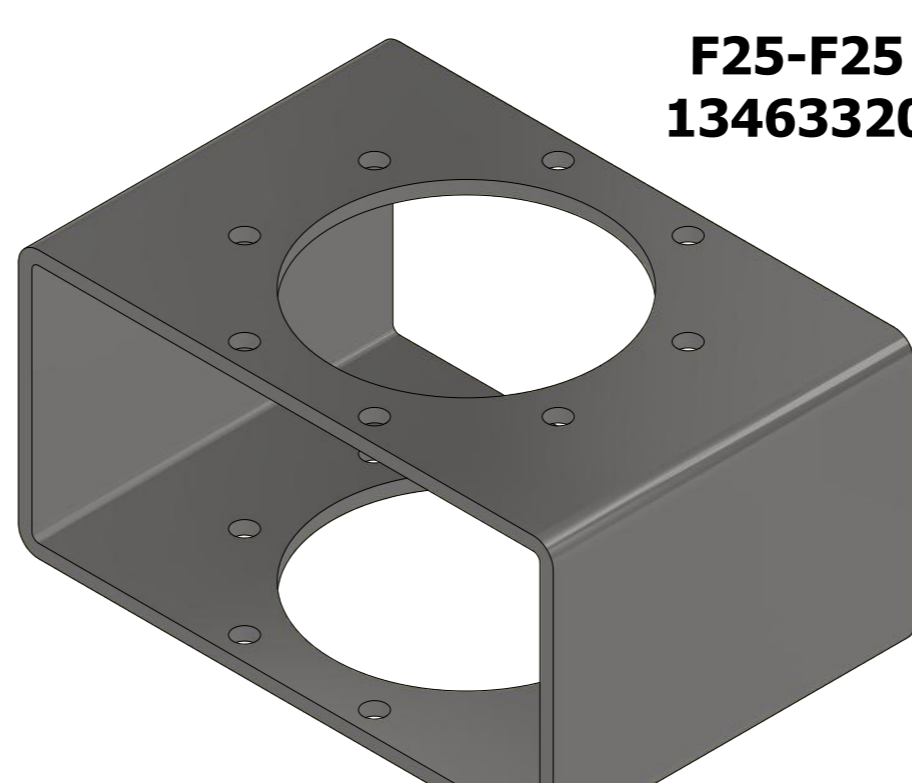
F25-F14
13486539



F25-F16
13487202



F25-F25
13463320



Height bracket:

